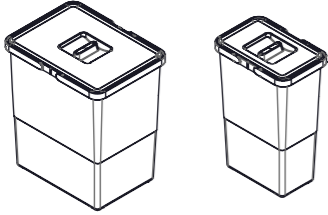
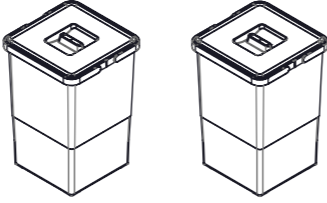
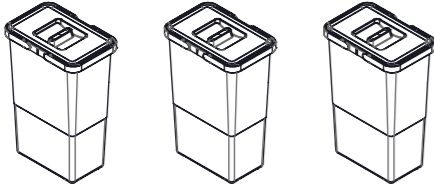
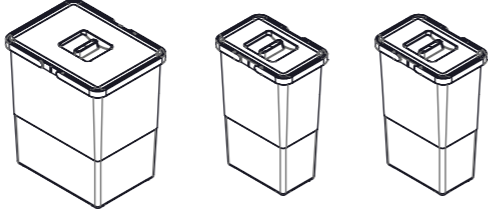
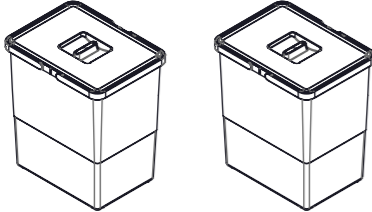
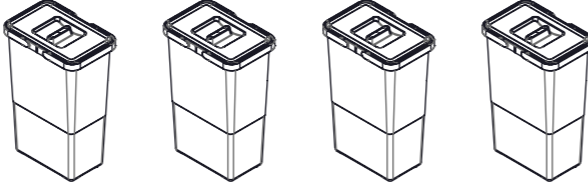
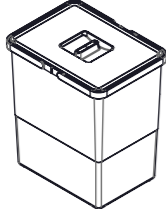
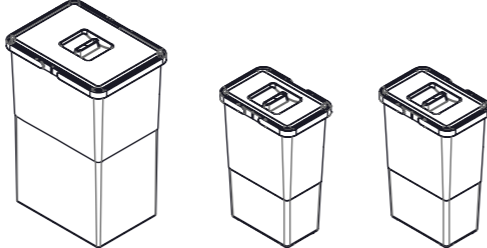
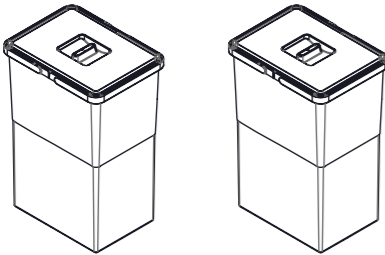
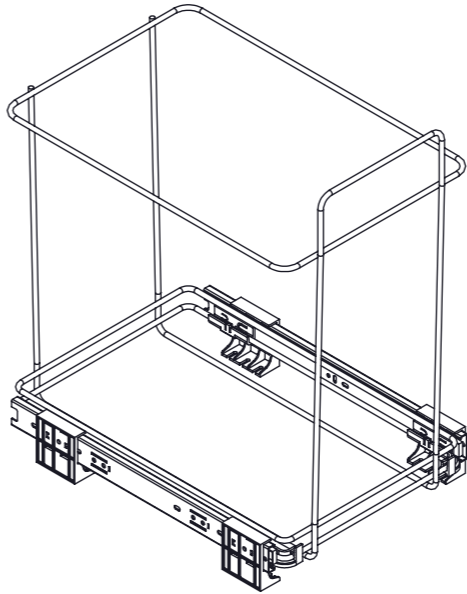
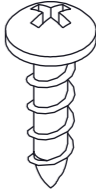
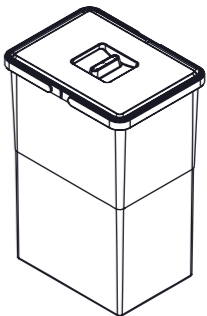


<p>PF01 34A1</p>  <p>18 L      8 L</p>	<p>PF01 34A2</p>  <p>12 L      12 L</p>
<p>PF01 34A3</p>  <p>8 L      8 L      8 L</p>	<p>PF01 34B1</p>  <p>18 L      8 L      8 L</p>
<p>PF01 34B2</p>  <p>18 L      18 L</p>	<p>PF01 34B3</p>  <p>8 L      8 L      8 L      8 L</p>
<p>PF01 34C1</p>  <p>18 L</p>	<p>PF01 44B1</p>  <p>24 L      8 L      8 L</p>
<p>PF01 44B2</p>  <p>24 L      24 L</p>	

نم امله  
1 9 5 4

ECOFIL

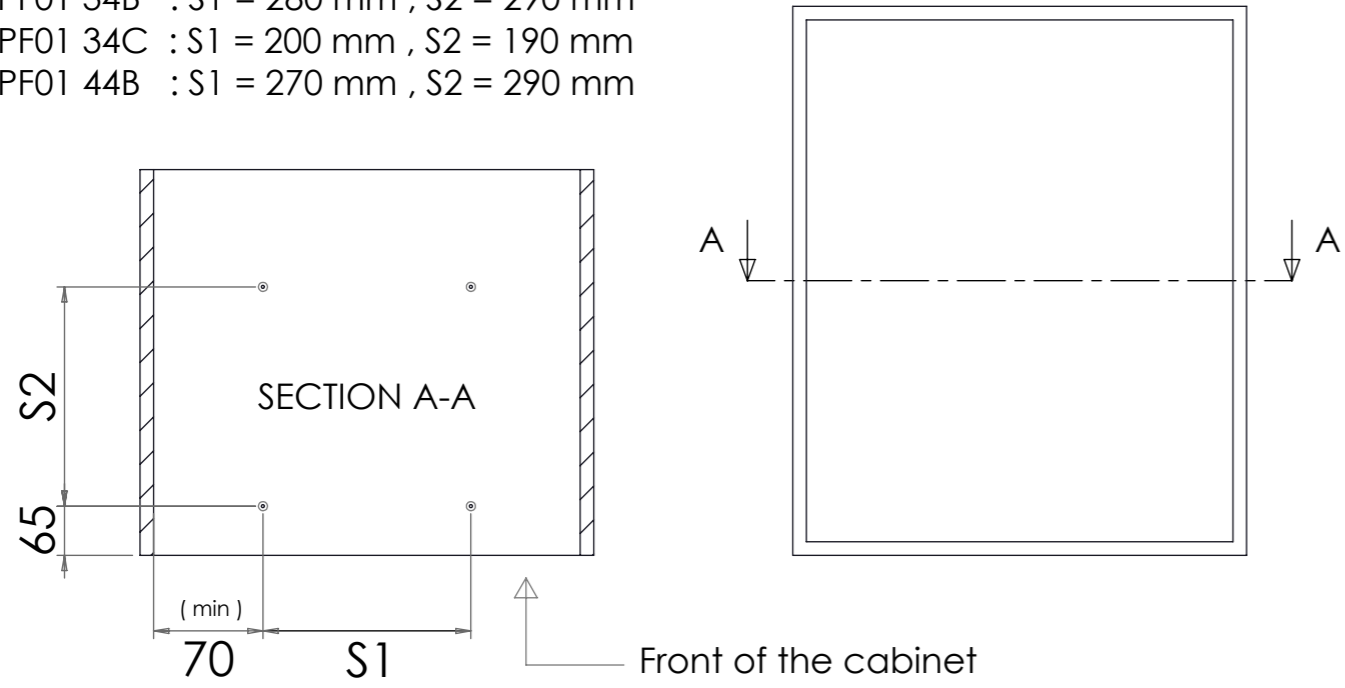
COMPONENTS	
 <p>A ( X1 )</p>	 <p>B ( X4 )</p>
	 <p>C ( variable for each model )</p>

1

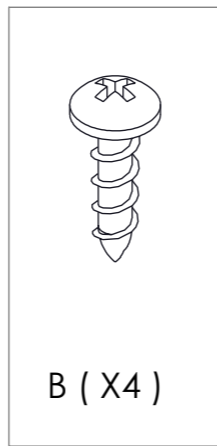
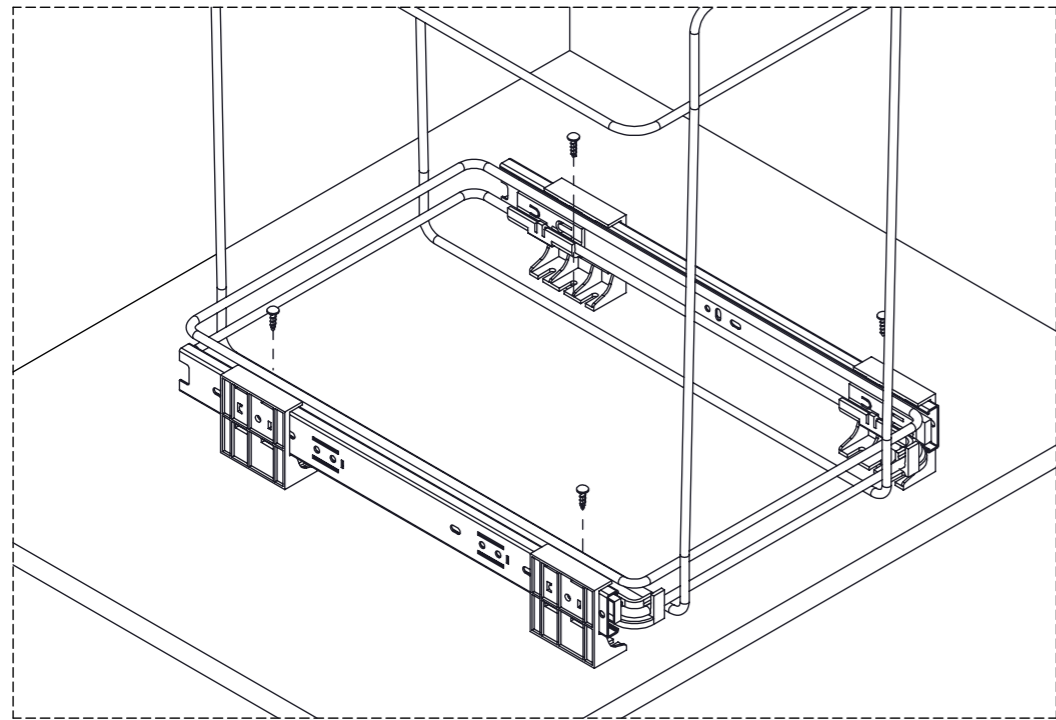
### Base Drilling Layout

Place the bin in correct position as indicated and fix the 2 frontal screw

- PF01 34A : S1 = 200 mm , S2 = 290 mm
- PF01 34B : S1 = 280 mm , S2 = 290 mm
- PF01 34C : S1 = 200 mm , S2 = 190 mm
- PF01 44B : S1 = 270 mm , S2 = 290 mm



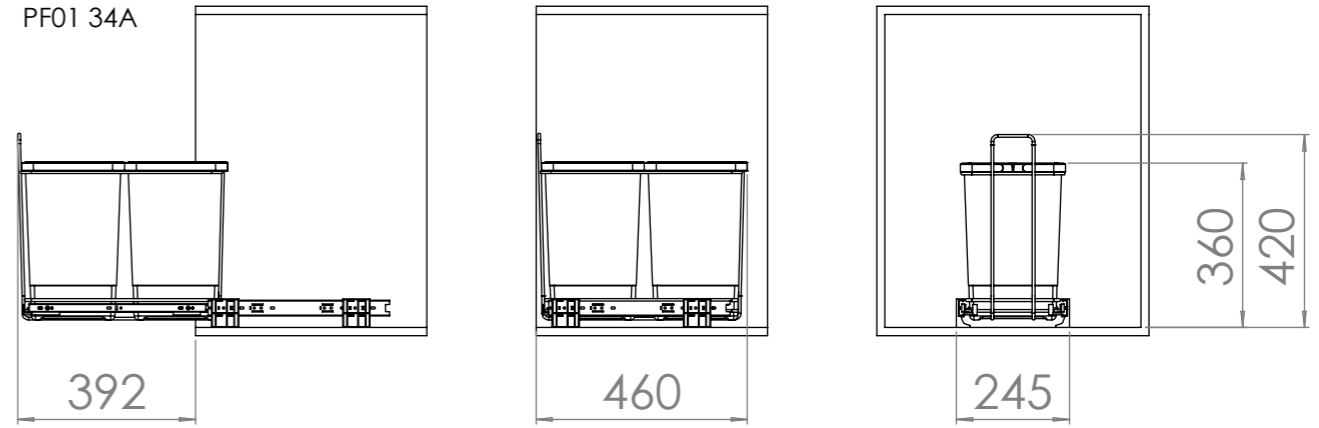
2



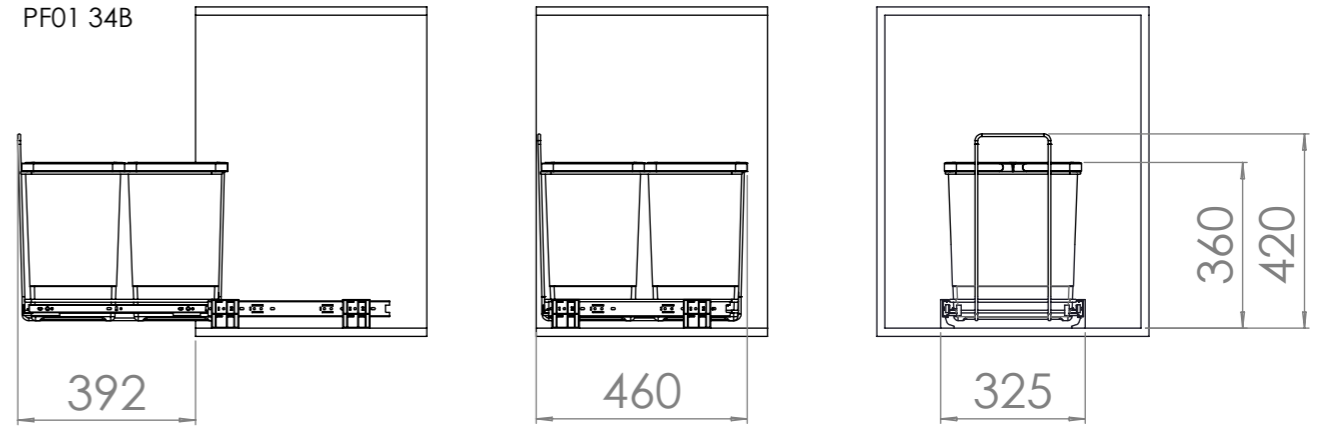
B ( X4 )

A ( X1 )

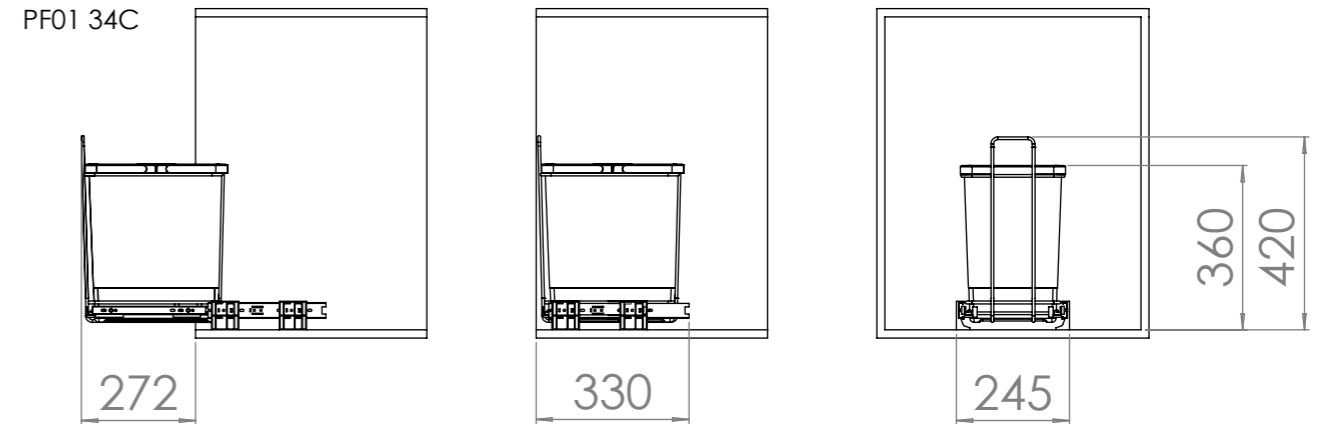
PF01 34A



PF01 34B



PF01 34C



PF01 44B

